

Han Yellock 60 Adapter Plate

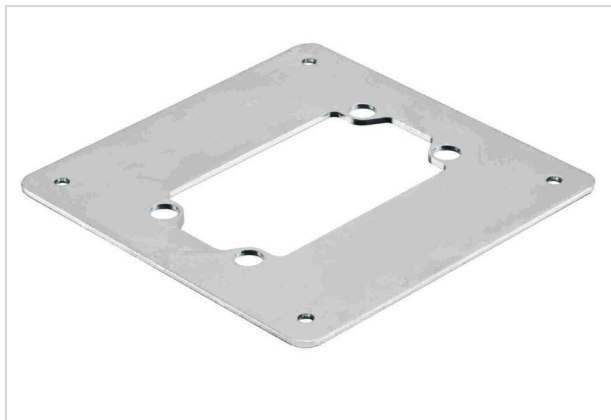


Image is for illustration purposes only. Please refer to product description.

Part number	11 00 600 9601
Specification	Han Yellock 60 Adapter Plate
HARTING eCatalogue	https://b2b.harting.com/11006009601

Identification

Category	Accessories
Type of accessory	Adapter plate
Description of the accessory	for Han-Yellock® 60

Material properties

RoHS	compliant
ELV status	compliant
China RoHS	e
REACH Annex XVII substances	Not contained
REACH ANNEX XIV substances	Not contained
REACH SVHC substances	Not contained
California Proposition 65 substances	Yes

Commercial data

Packaging size	1
Net weight	162.82 g
Country of origin	Germany
European customs tariff number	85389099
GTIN	5713140109308
eCl@ss	27440201 Adapter plate industrial connectors